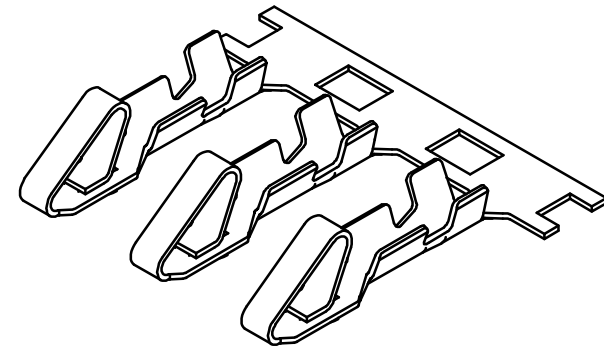
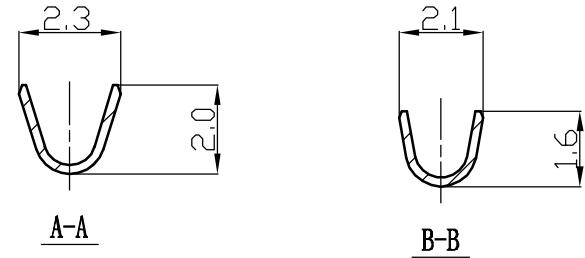
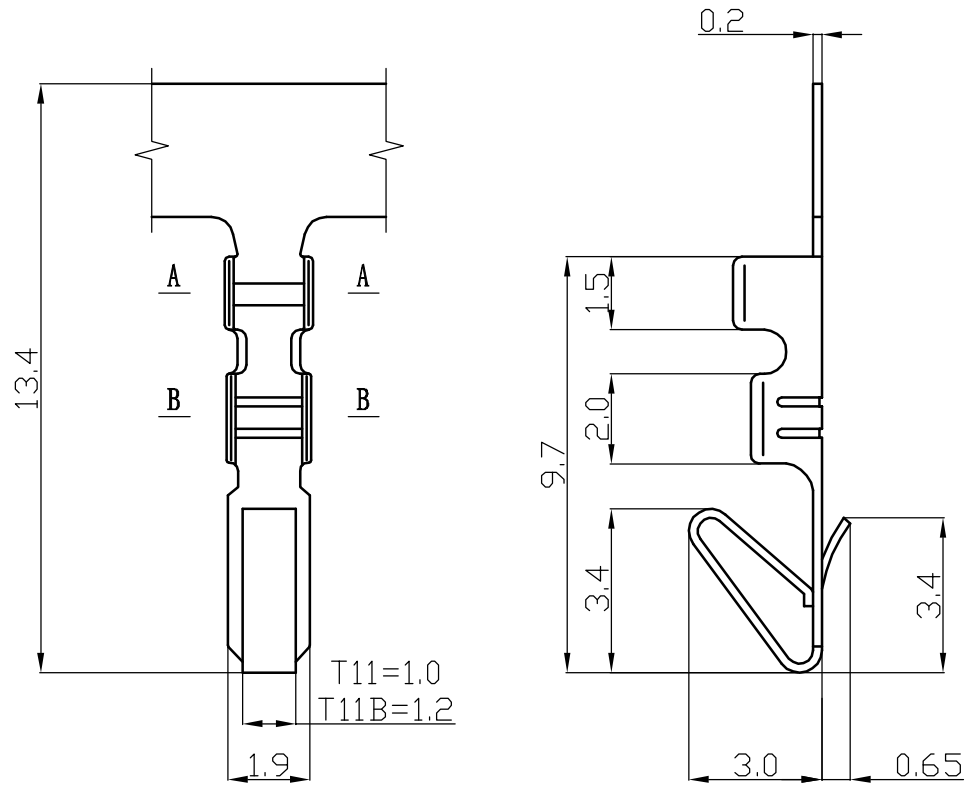


2510



主要技术参数
Main Specifications

- 线数 (poles): 2 to 16P
- 额定电流 (Current rating): 4.0A AC, DC
- 额定电压 (Voltage rating): 250V AC, DC
- 温度范围 (Temperature range): -25°C to +85°C
- 接触电阻 (Contact resistance): $\leq 10\text{m}\Omega$
- 绝缘电阻 (Insulation resistance): $\geq 1000\text{m}\Omega$
- 耐电压 (Withstand voltage): 1000V AC/minute
- 适用线规 (Applicable wire): AWG #28 to #22
- 适用基板厚度 (Applicable PC board thickness): 1.6mm

Design Units	SIZE	页码		
METRIC	A4			
		Part No		
2510-T				