

433MHz Waterproof Sucker Antenna

## Product Specification



## Catalogue

1. Description.....	- 3 -
2. Technical Parameter.....	- 3 -
3. Size.....	- 3 -
4. VSWR Chart.....	- 3 -

### Note: Revision History

Revision	Date	Comment
V1.0	2014-10	First release
V2.0	2016-06	Typesetting, measurements revised
V2.1	2017-06	Logo updated

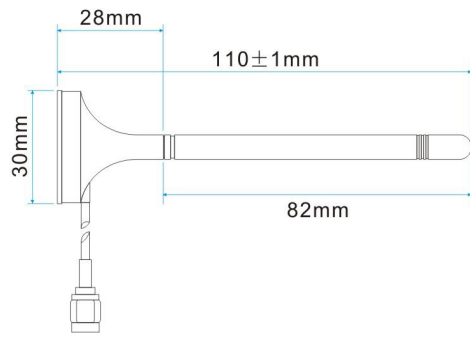
## 1. Description

SW433-WP-XPXM is a small waterproof sucker antenna, it has good VSWR, ingenious structure, easy installation, with good anti-vibration and aging ability. Combined with its waterproof properties are widely used in outdoor environment is poorer in the places.

## 2. Technical Parameter

- Frequency Range: 433 (+/-5) MHz
- VSWR:  $\leq 1.5$
- Gain: 2.15 DBI
- Input impedance: 50  $\Omega$
- Max power: 10 W
- Weight: 60 g
- Height: 111 MM
- Interface form: MCX-J
- Lead wire: 1M、3M optional
- Antenna Color: black

## 3. Size



## 4. VSWR Chart

Antennas have been tested under wireless simulated environment by USA HP Network Analyzer

Frequency: 434 MHz

SWR: 1.047161

