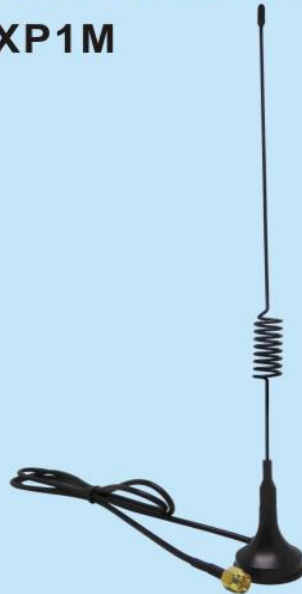


Product Datasheet V2.0

868MHz Small Sucker Antenna
SW868-XP1M



Tel: 86-755-23080616 Fax: 86-755-27838582
Email: sales@nicerf.com Web: www.nicerf.com
Address: 309-314, 3/F, Bldg A, Hongdu Business building, Zone 43,
Baoan Dist, Shenzhen, China

Catalogue

1. Description.....	- 3 -
2. Technical Parameter.....	- 3 -
3. Size.....	- 3 -
4. VSWR Chart.....	- 3 -

Note: Revision History

Revision	Date	Comment
V1.0	2014-08	First release
V2.0	2016-06	Typesetting, measurements revised
V2.1	2017-06	Logo updated

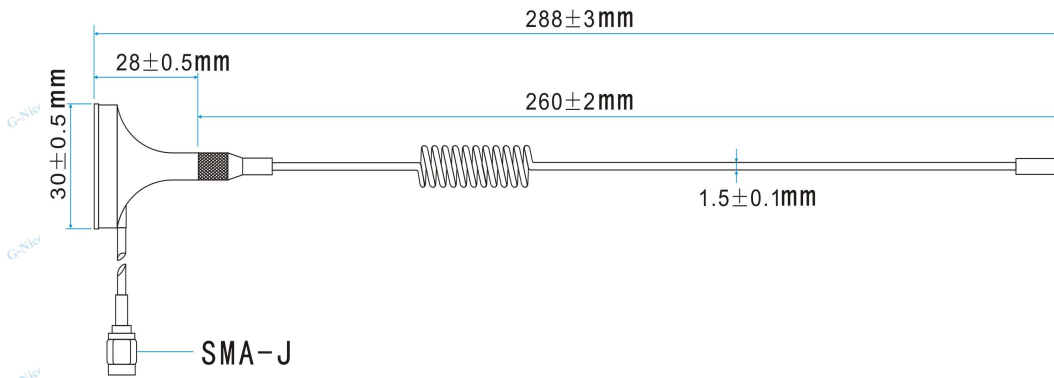
1. Description

SW868-XP1M, small sucker antenna, designed specially for 868MHz wireless communication, it has good VSWR, ingenious structure, easy installation, stable performance, with good anti-vibration and aging ability.

2. Technical Parameter

- Frequency Range: 868 (+/-10) MHz
- Polarization: vertical polarization
- VSWR: ≤ 1.5
- Height: 288±3 MM
- Gain: 3.0 DBI
- Interface form: SMA-J(customizable)
- Input impedance: 50 Ω
- Lead wire: 1M (customizable)
- Max power: 10 W
- Color: black

3. Size



4. VSWR Chart

Antennas have been tested under wireless simulated environment by USA HP Network Analyzer

