

915MHz Elbow Rod Antenna

Product Specification



Catalogue

1. Description.....	3
2. Technical Parameter.....	3
3. Size.....	3
4. VSWR Chart.....	3

Note: Revision History

Revision	Date	Comment
V1.0	2013-06	First release
V2.0	2016-06	Typesetting, measurements revsied
V2.1	2017-06	Logo updated

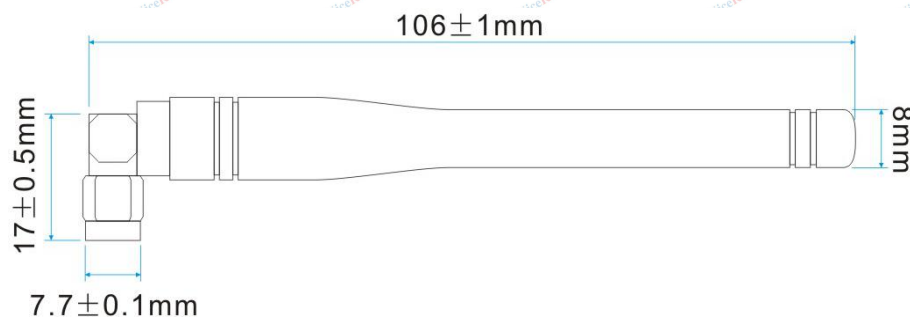
1. Description

SW915-WT100, an elbow rod antenna, designed specially for 915MHz wireless communication and Meter Reading Communication System, it has good VSWR, ingenious structure, easy installation, stable performance, with good anti-vibration and aging ability.

2. Technical Parameter

- Frequency Range: 915 ± 5 MHz
- VSWR: ≤ 1.5
- Gain: 2.15 DBI
- Input impedance: 50Ω
- Max power: 10 W
- Polarization: vertical polarization
- Height: 106 ± 1 mm
- Interface form: SMA-JW
- Lead wire: none
- Antenna Color: black
- Weight: 15 g

3. Size



4. VSWR Chart

Antennas have been tested under wireless simulated environment by USA HP Network Analyzer

