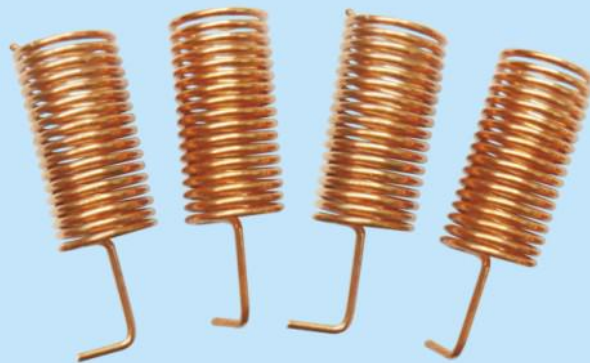


433MHz Copper spring antenna

Product Specification



Catalogue

1. Description.....	- 2 -
2. Technical Parameter.....	- 3 -
3. Size.....	- 3 -
4. VSWR Chart.....	- 3 -

Note: Revision History

Revision	Date	Comment
V1.0	2013-05	First release
V2.0	2016-06	Typesetting, measurements revised
V2.1	2017-06	Logo updated

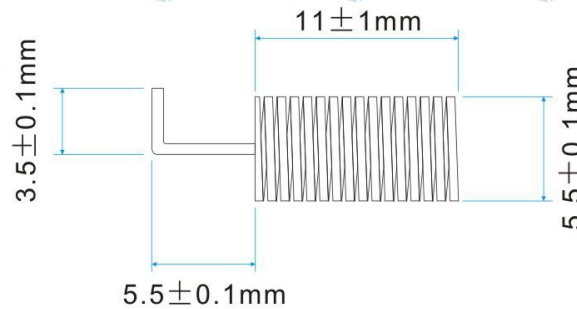
1. Description

SW433-TH10, copper spring antenna, designed specially for 433MHz wireless communication, it has good VSWR, Compact dimensions, easy installation, stable performance, with good anti-vibration and aging ability.

2. Technical Parameter

- Frequency Range: 433 (+/-5) MHz
- VSWR: ≤ 1.8
- Gain: 2.15 DBI
- Input impedance: 50 Ω
- Wire diameter: 0.8mm
- Max power: 10 W
- Height: 11.3+/-1 mm (17T)
- Interface form: welding directly
- Antenna Color: copper
- Weight: 2 g

3. Size



4. VSWR Chart

Antennas have been tested under wireless simulated environment by USA HP Network Analyzer

